



# Pittaluga Static Mixers WP

for turbulent flow conditions



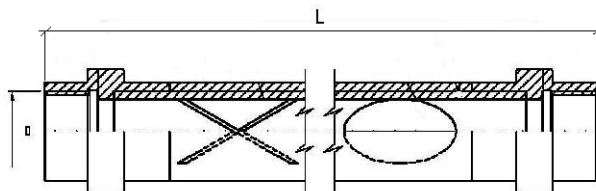
**Excellent mixing performance!**  
**Outstanding price/quality ratio.**





# Pittaluga Static Mixers WP

## Sizes & Executions



**Body from transparent PVC , connections from PVC, EPDM gaskets, mixing elements from PP**  
Maximum Operating Pressure, 4 barg. Maximum Operating Temperature, 45 °C.

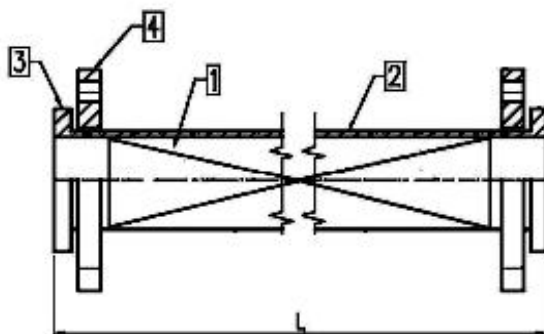
### Connections to be glued

CODE	CONNECTIONS	L mm
WP 25 PP	D25	210
WP 32 PP	D32	230
WP 50 PP *	D50	347/385
WP 63 PP *	D63	360/405

### Threaded connections

CODE	CONNECTIONS	L mm
WP 3/4" PP	3/4"	200
WP 1" PP	1"	230
WP 1 1/2" PP	1 1/2"	320
WP 2" PP	2"	320

\* also available with additive port 1/2" GAS F



**Body from PVC, mixing elements from PP,  
Flanges PN 10 from reinforced PP**  
Maximum Operating Pressure, 8 bar g.  
Maximum Operating Temperature, 45 °C.

CODE	FLANGES	L mm
WP 25 F PP	DN 25	180
WP 40 F PP	DN 40	230
WP 50 F PP	DN 50	260

**Body & mixing elements from PVDF,  
Flanges PN 10 from reinforced PP**  
Maximum Operating Pressure, 8 bar g.  
Maximum Operating Temperature, 100 °C.

CODE	FLANGES	L mm
WP 25 F K	DN 25	180
WP 40 F K	DN 40	230
WP 50 F K	DN 50	260

WP-EN Marzo 2011 Rev. 4

Distributed by:



**Dr. B. PITTALUGA & C srl**  
Via Muratori, 18  
24030 MOZZO – ITALY  
Tel. +39 035 466246  
Fax. +39 035 618710  
E-mail. [info@pittamix.it](mailto:info@pittamix.it)

